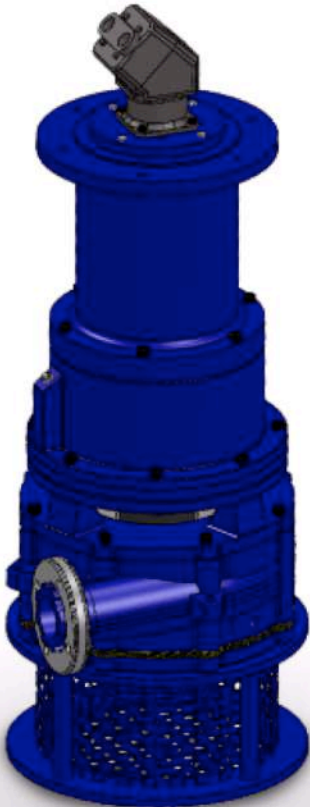


FEATURES

- 1. Enclosed Impeller**
 - Even wear components.
 - Balanced hydraulic design for extended and even wear life of components.
 - 28% High Chrome 650+ Brinell hardness assures long life of impeller, wear plate and casing.
- 2. Slurry Mechanical Seal**
 - Dual seals of Silicon Carbide vs. Silicon Carbide running without the need for flush water.
 - The motor is further protected by a labyrinth seal and seal relief port.
- 3. Heavy-Duty Hydraulic Motor**
 - Extended dry run capabilities. Minimizes the cost of operation.
- 4. Large Solid Capacity**
 - The HYEW can handle particle sizes from 1" to 5" in diameter.



SPECIFICATIONS

- Horsepower**
Discharge Size
Performance Range
Capacity
Head
Solids Handling
Motor Nomenclature
Type / Speed / HZ
Maximum Water Temperature
Operation Mode
Materials of Construction
Casing

Impeller

Wear Plate

Shaft
Bearing Housing

Fasteners
Impeller Type
Mechanical Seal
Upper Seat
Upper Rotator
Lower Seat
Lower Rotator
Elastomers
Labyrinth Seal
Lubrication
Bearings
Thrust
Radial
Lubrication

Accessories

STANDARD

- 15 - 500 HP
3" - 8"

250 - 6000 US GPM
50' - 350' TH
1" to 3-1/4" Particle Size

Hydraulic / Variable 350 to 2200 RPM / 60 HZ
200° F
Hydraulic Driver

28% High Chrome 650+ Brinell Hardness
28% High Chrome 650+ Brinell Hardness
28% High Chrome 650+ Brinell Hardness
416 Stainless Steel
Cast Iron 3/8" Minimum Thickness
316 Stainless Steel
Enclosed

Silicon Carbide
Silicon Carbide
Silicon Carbide
Silicon Carbide
Viton
Cast Steel
Mobil / Synturion 6

Double Angular Contact
Deep Groove Ball Bearing
Permanently Lubricated with Mobil SHC Polyrex 222
Agitators / Discharge Hose / Variable Speed / Urethane Coating / Elbows in Steel or High Chrome / Control Panels / Moisture and Thermal Protection / Rafts

Best used in applications such as barges and remote ponds without electricity while accommodating weight restrictions.