

DURABLE. RELIABLE. DEPENDABLE.



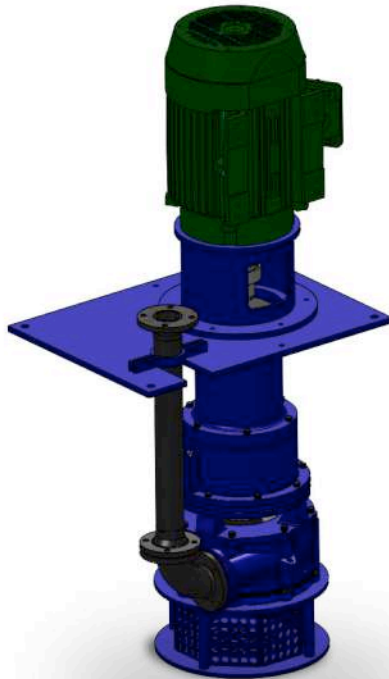
**HEAVY-DUTY BASE MOUNTED
C-FACE EVEN WEAR EXTENDED
SHAFT SLURRY PUMP**

**BCEW
SERIES**

SPECIFICATIONS

FEATURES

- 1. Enclosed Impeller**
 - Even wear components.
 - Balanced hydraulic design for extended and even wear life of components.
 - 28% High Chrome 650+ Brinell hardness assures long life of impeller, wear plate and casing.
- 2. Slurry Mechanical Seal**
 - Dual seals of Silicon Carbide vs. Silicon Carbide running without the need for flush water.
 - The motor is further protected by a labyrinth seal and a seal relief port.
- 3. Heavy-Duty Wash-Down C-Face Motor**
 - C-Face inverter-duty TEFC, severe service, low voltage motor minimizes the cost of operation.



SPECIFICATIONS

Horsepower	15 - 500 HP
Discharge Size	3" - 8"
Performance Range	
Capacity	250 - 6000 US GPM
Head	50' - 350' TH
Solids Handling	1" to 3-1/4" Particle Size
Motor Nomenclature	
Type / Speed / HZ	C-Face TEFC / 350 to 1780 RPM / 60 HZ
Voltage / Phase	230, 460, 575 V / 3 Phase
Service Factor	1.15
Insulation	Class F
Maximum Water Temperature	200° F
Operation Mode	Synchronous Speed or V.F.D.
Materials of Construction	
Casing	28% High Chrome 650+ Brinell Hardness
Impeller	28% High Chrome 650+ Brinell Hardness
Wear Plate	28% High Chrome 650+ Brinell Hardness
Shaft	416 Stainless Steel
Bearing Housing	Cast Iron
Fasteners	316 Stainless Steel
Impeller Type	Enclosed
Mechanical Seal	
Upper Seat	Silicon Carbide
Upper Rotator	Silicon Carbide
Lower Seat	Silicon Carbide
Lower Rotator	Silicon Carbide
Elastomers	Viton
Labyrinth Seal	Cast Steel
Lubrication	Mobil / Synturion 6
Bearings	
Thrust	Double Angular Contact
Radial	Deep Groove Ball Bearing
Lubrication	Permanently Lubricated with Mobil SHC Polyrex 222
Accessories	Agitators / Discharge Hose / Variable Speed / Urethane Coating / Elbows in Steel or High Chrome / Control Panels / Moisture and Thermal Protection / Rafts

Pumps are available for 20' sumps. Permanently lubricated sealed bearings prevent minimum shaft deflections. No V-belts or tail pipes required.

