

# DURABLE. RELIABLE. DEPENDABLE.



**HEAVY-DUTY BASE MOUNTED  
BELT DRIVE EVEN WEAR  
SLURRY PUMP**

**BBEW  
SERIES**

**SPECIFICATIONS**

## FEATURES

### 1. Enclosed Impeller

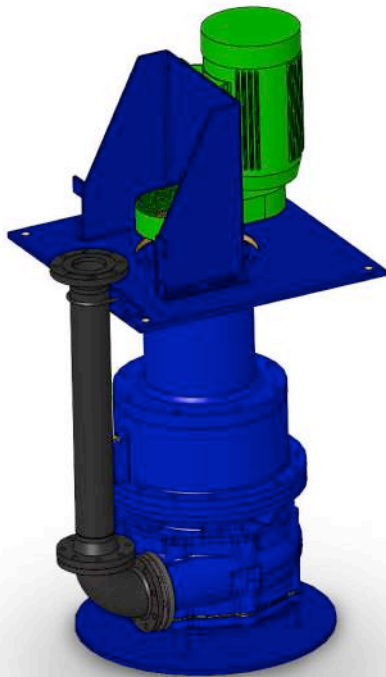
- Even wear components.
- Balanced hydraulic design for extended life and even wear of components.
- 28% High Chrome 650+ Brinell hardness assures long life of impeller, wear plate and casing.

### 2. Slurry Mechanical Seal

- Dual seals of Silicon Carbide vs. Silicon Carbide running without the need for flush water.
- The motor is further protected by a labyrinth seal and a seal relief port.

### 3. Heavy-Duty Wash-Down Motor

- Inverter-duty TEFC, severe service, low voltage motor minimizes the cost of operation.



## SPECIFICATIONS

### Horsepower

### Discharge Size

### Performance Range

Capacity

Head

### Solids Handling

### Motor Nomenclature

Type / Speed / HZ

Voltage / Phase

Service Factor

Insulation

### Maximum Water Temperature

### Operation Mode

### Materials of Construction

Casing

Impeller

Wear Plate

Shaft

Bearing Housing

Fasteners

### Impeller Type

### Mechanical Seal

Upper Seat

Upper Rotator

Lower Seat

Lower Rotator

Elastomers

Labyrinth Seal

Lubrication

### Bearings

Thrust

Radial

### Lubrication

### Accessories

## STANDARD

15 - 500 HP

3" - 20"

250 - 6000 US GPM

50' - 350' TH

1" to 3-1/4" Particle Size

TEFC / 350 to 1780 RPM / 60 HZ

230, 460, 575 V / 3 Phase

1.15

Class F

200° F+

Belt Driver and V.F.D.

28% High Chrome 650+ Brinell Hardness

28% High Chrome 650+ Brinell Hardness

28% High Chrome 650+ Brinell Hardness

416 Stainless Steel

Cast Steel

316 Stainless Steel

Enclosed

Silicon Carbide

Silicon Carbide

Silicon Carbide

Silicon Carbide

Viton

Cast Steel

Mobil / Synturion 6

Double Angular Contact

Deep Groove Ball Bearing

Permanently Lubricated with

Mobil SHC Polyrex 222

Agitators / Discharge Hose /

Variable Speed / Urethane

Coating / Elbows in Steel or High

Chrome / Control Panels /

Moisture and Thermal Protection

/ Rafts

**Pumps are available for 20' sumps. Permanently lubricated sealed bearings prevent minimum shaft deflections. Eliminates tail pipes and flush water.**

