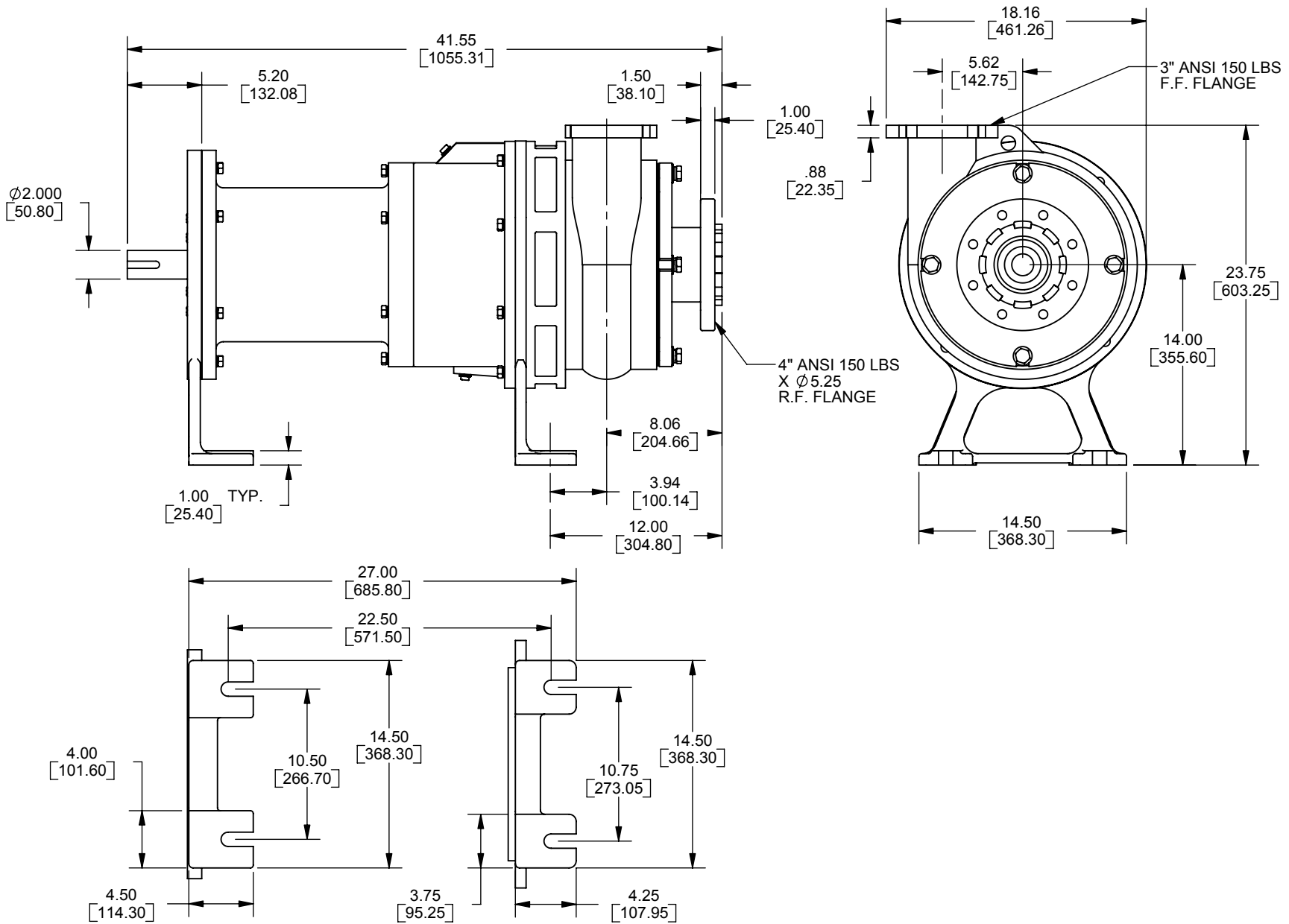





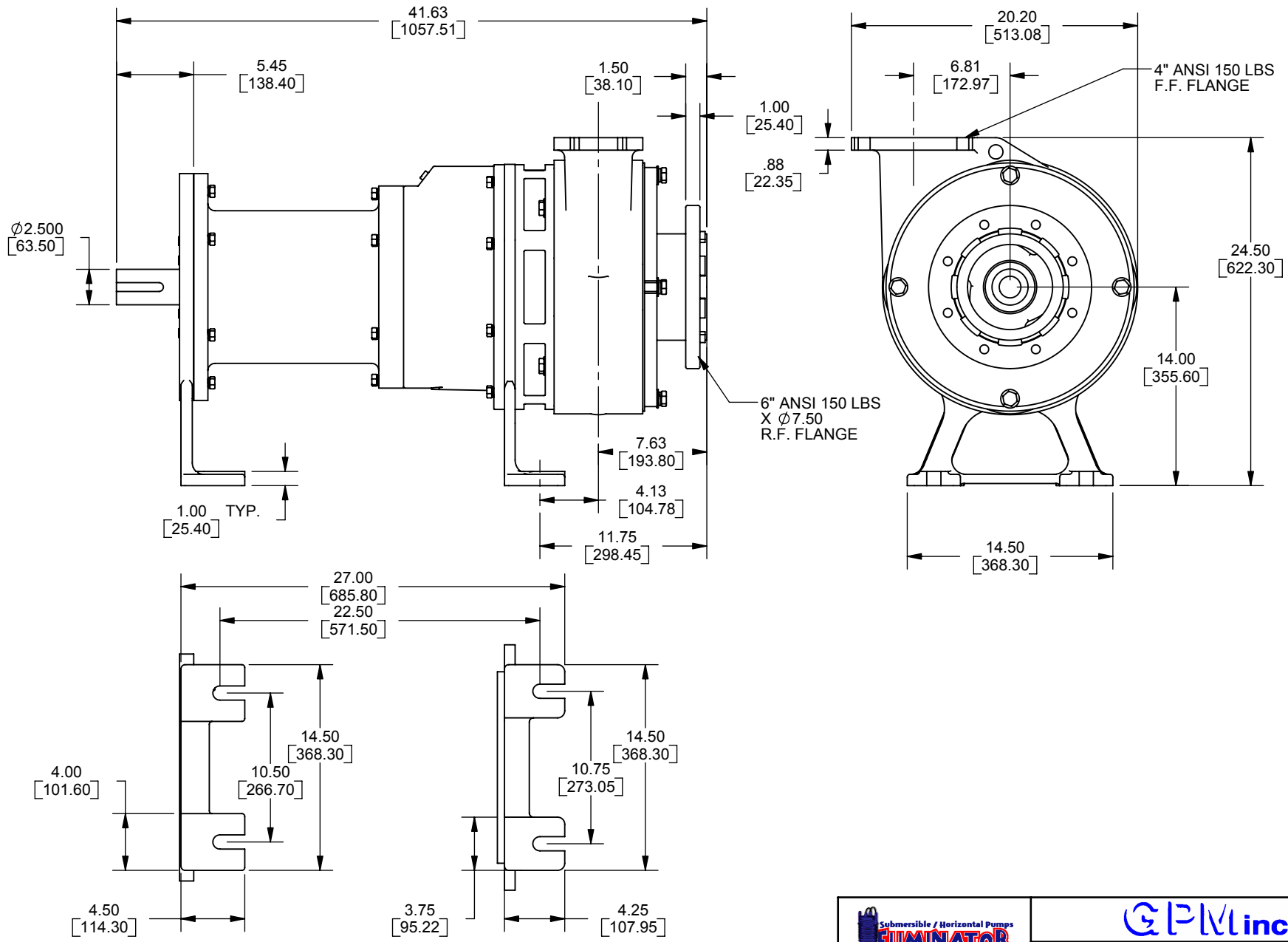
APPROX. PUMP WEIGHT	
702 LBS	318 KGS



NOTE: BACK FOOT MAY BE REVERSED AT CUSTOMER REQUEST.

							
				TITLE SHLH3 FRAME 2 G.A.			
NAME	DATE	ENG	APPR.	SIZE	DWG. NO.	ISSUE DATE:	
DRAWN	TWS	12/06	GAD	A	GA-78-003-21	12/06	
SCALE:							

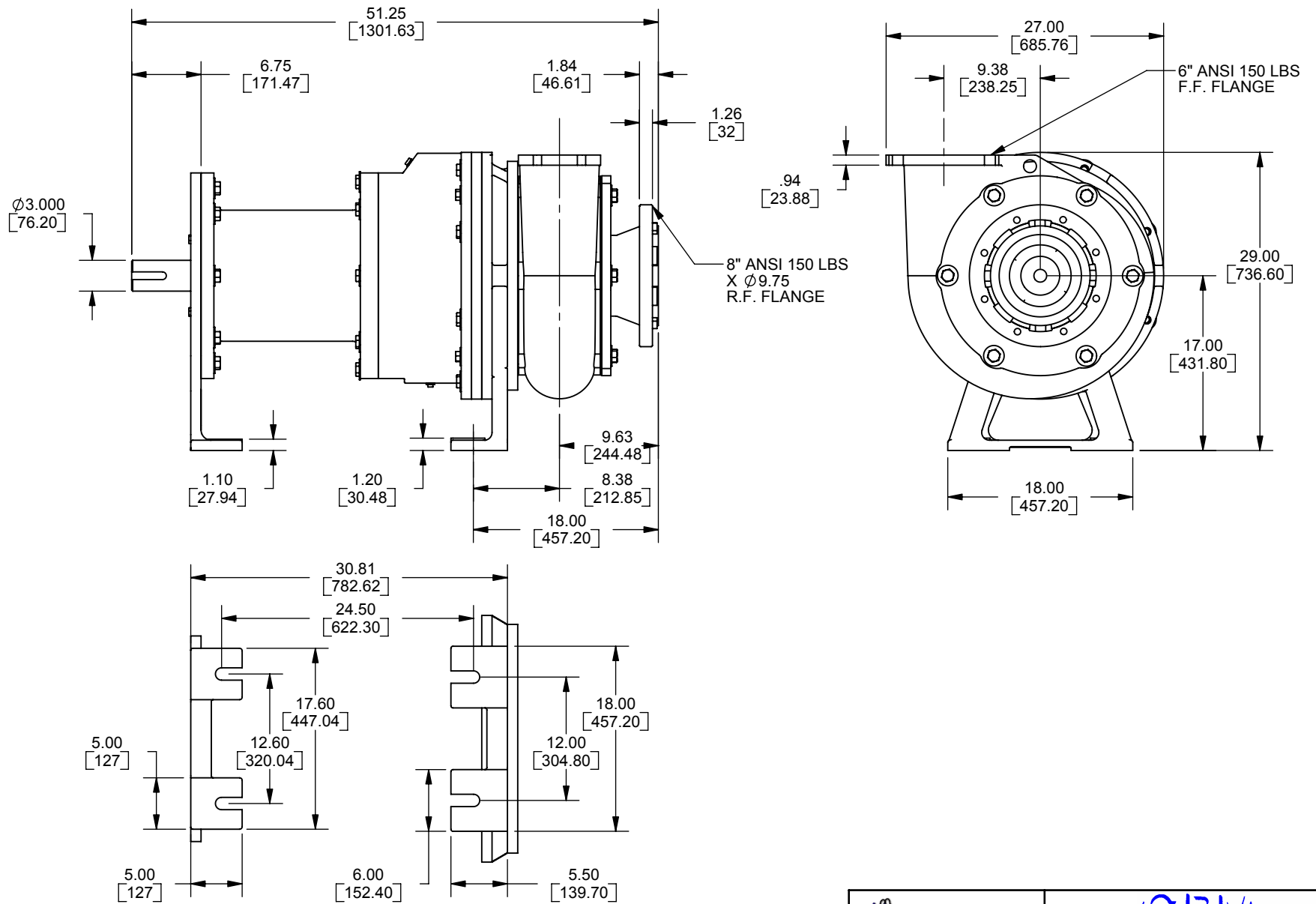
APPROX. PUMP WEIGHT	
900 LBS	408 KGS





NOTE: BACK FOOT MAY BE REVERSED AT CUSTOMER REQUEST.

TITLE SHLH4 FRAME 2 G.A.					
NAME TWS	DATE 12/06	ENG. APPR. GAD	SIZE A	DWG. NO. GA-78-004-21	ISSUE DATE: 12/06
SCALE:					

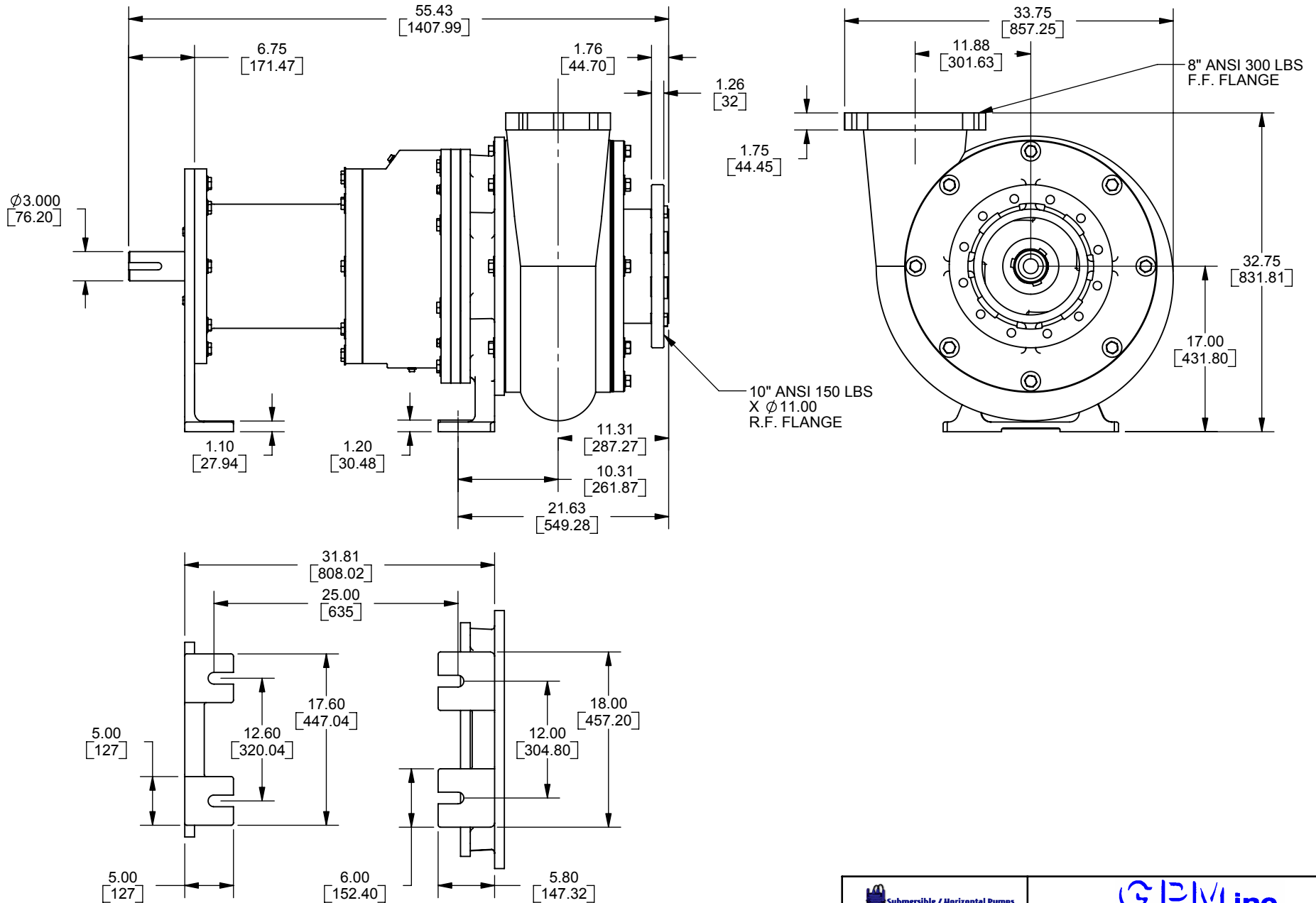
APPROX. PUMP WEIGHT	
1554 LBS	705 KGS





NOTE: BACK FOOT MAY BE REVERSED AT CUSTOMER REQUEST.

					
TITLE SHLH6 FRAME 4 G.A.					
NAME	DATE	ENG APPR.	SIZE	DWG. NO.	ISSUE DATE:
DRAWN	TWS	12/06	GAD	A	GA-78-006-21
SCALE:					12/06

APPROX. PUMP WEIGHT	
1971 LBS	894 KGS



NOTE: BACK FOOT MAY BE REVERSED AT CUSTOMER REQUEST.

					
TITLE SHLH8 FRAME 4 G.A.					
NAME	DATE	ENG. APPR.	SIZE	DWG. NO.	ISSUE DATE:
DRAWN	TWS	12/06	GAD	A	GA-78-008-21
SCALE:					12/06